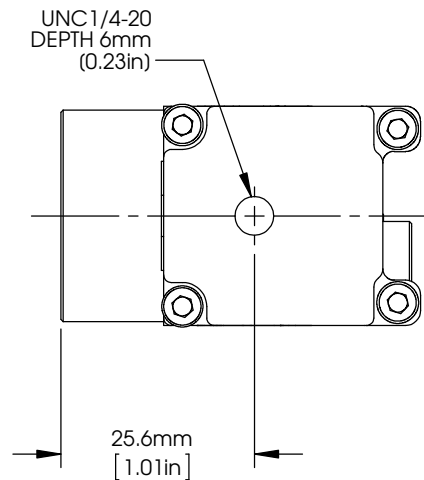
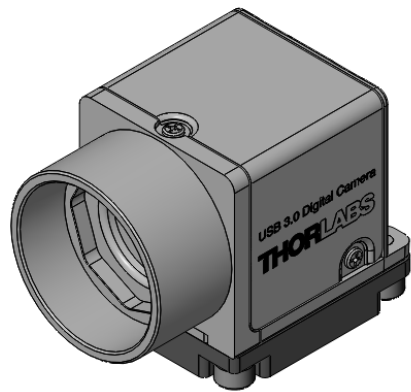
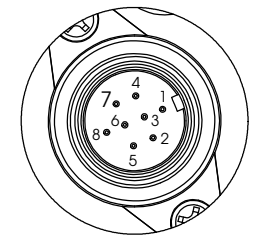


DETAIL A
SCALE 2 : 1
REAR VIEW



PIN	DESCRIPTION
1	GROUND
2	FLASH OUTPUT, OPTO-DECOUPLED (-)
3	GPIO 1, 3.3V LVCMOS
4	TRIGGER INPUT, OPTO-DECOUPLED (-)
5	FLASH OUTPUT, OPTO-DECOUPLED (+)
6	GPIO 2, 3.3V LVCMOS
7	TRIGGER INPUT, OPTO-DECOUPLED (+)
8	OUTPUT SUPPLY VOLTAGE, 5V (100mA)



THE WEIGHT WITHOUT ADAPTER PLATE IS 43g

FOR INFORMATION ONLY
NOT FOR MANUFACTURING PURPOSES

DRAWING PROJECTION				THORLABS www.thorlabs.com USB 3.0 DIGITAL CAMERA NIR	
NAME	DATE				
DRAWN	Hit.	03/APR/13			MATERIAL
APPROVAL	Ge	03/APR/13			
COPYRIGHT © 2013 BY THORLABS				N.A.	
VALUES IN PARENTHESIS ARE CALCULATED AND MAY CONTAIN ROUND OFF ERRORS				ITEM #	APPROX WEIGHT
				DCC3240N	0.06 kg
					REV A